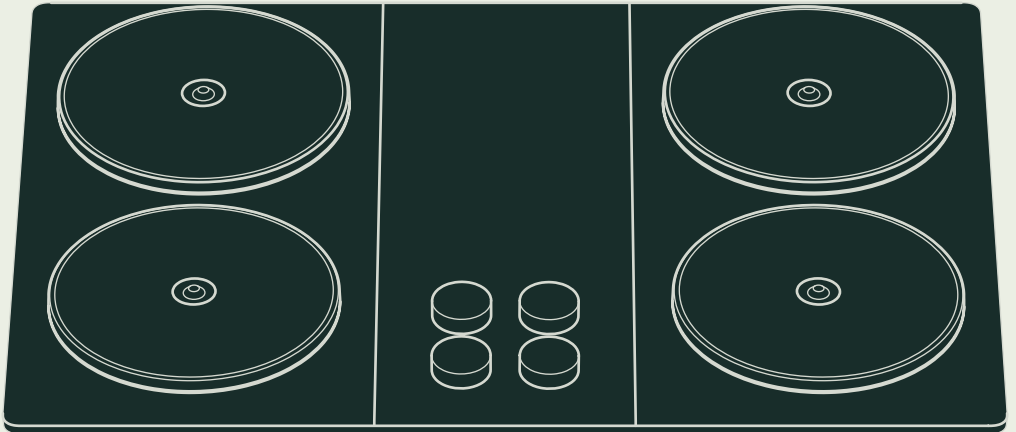


Installation Guide



impulse

Exceptional performance.
Effortless energy resilience.
Obsessively engineered for
quality and reliability.

Table of Contents

1.	Important safety instructions	5
2.	Setting up	8
3.	Preparing the installation space	10
4.	Installation process	16
5.	Electrical connection	23
6.	Checking installation	30
7.	Onboarding	31
8.	Removing the appliance	31
9.	Customer service & warranty	32

1. Important safety instructions

1.1. SAFETY DEFINITIONS

WARNING: This indicates that death or serious injuries may occur as a result of non-observance of this warning.

CAUTION: This indicates that minor or moderate injuries may occur as a result of non-observance of this warning.

NOTICE: This indicates that damage to the appliance or property may occur as a result of non-compliance with this advisory.

REQUIREMENT: This indicates a mandatory instruction that must be followed to ensure proper installation, operation, or performance of the appliance.

NOTE: This alerts you to important information and/or tips.

1.2. GENERAL INFORMATION

- › Read this manual carefully.
- › Keep the user manual, product information, and warranty card safe for future reference or for the next owner.
- › Do not connect the appliance if it has been damaged in transit.

1.3. GENERAL SAFETY INSTRUCTIONS

IMPORTANT

- › Be sure your appliance is properly installed and grounded by a qualified technician.
- › For 240 V electrical configuration of this product, this appliance must be installed by a qualified installer. See **section 5.2** for assembling the 240 V cable and **section 5.3** for connecting electrical supply with a 240 V connection.
- › Save these instructions for local electrical inspector's use.

INSTALLER

- › Leave these installation instructions with the unit for the owner.

OWNER

- › Please retain these instructions for future reference.
- › Examine the appliance after unpacking it. In the event of transport damage, do not connect the appliance to a power source.

WARNING

- › The information in this manual must be followed exactly. Improper installation may present a risk of fire or shock, resulting in property damage or personal injury.
- › This appliance is designed for indoor use only. Do not install or operate outdoors or in areas exposed to moisture or weather.
- › Do not repair, replace, or remove any part of the appliance unless specifically recommended in the manuals. Improper installation, service, or maintenance can cause property damage or injury.
- › Remove all packaging and tape before using the appliance. Never allow children to play with packaging material.
- › When installing the cooktop over an appliance, both products must be installed according to their specific product installation instructions.
- › Do not install any refrigerators, dishwashers, or washing machines below the cooktop.
- › Never modify or alter the construction of the appliance. The manufacturer is not responsible for any damage or injury resulting from such modification or alteration or from incorrect installation.

NOTICE

- › Impulse recommends the installation of a ventilation system, such as a range hood, above this appliance.

1.4. APPLIANCE HANDLING SAFETY

CAUTION

- › Use protective gloves. Hidden surfaces may have sharp edges. Use caution when reaching behind or under the appliance.

1.5. SAFETY CODES AND STANDARDS

- › This appliance complies with the latest version of the following standards:
UL 858 - Household Electric Ranges
- › It is the responsibility of the owner and the installer to determine if additional requirements and/or standards apply to specific installations.

1.6. ELECTRICAL SAFETY

INSTALLER

- › Verify or apply new panelboard circuit label in compliance with the National Electrical Code.
- › Local codes vary. The installer is responsible for ensuring that the installation, connections, overcurrent protection, and grounding comply with all applicable codes. The manufacturer is not responsible for any issues associated with failure to comply with local codes in the installation of this appliance.
- › Refer to the nameplate ratings in **section 9.1** for more information.

REQUIREMENT

- › Only use the provided power supply cord.
- › Do not use an extension cord to power this appliance. If the power supply cord is too short, have a qualified electrician or technician install an outlet near the appliance.

WARNING

- › Before installing, turn circuit power OFF at the service panel.
- › Lock breaker in OFF position to prevent power from being turned ON accidentally.
- › Installation, electrical connections, and grounding must comply with all applicable jurisdictionally adopted codes.
- › This appliance must be grounded by a qualified technician. Grounding reduces the risk of electric shock by providing a safe pathway for electric current in the event of a short circuit.
- › Consult a qualified electrician if the grounding instructions are not completely understood, or if doubt exists as to whether the appliance is properly grounded.

1.7. STATE OF CALIFORNIA PROPOSITION 65 WARNINGS

- › This product may contain a chemical known to the State of California, which can cause cancer or reproductive harm. Therefore, the packaging of your product may bear the following label [**Figure.01**] required by California:



2. Setting up

NOTE

- › For a smooth installation, watch the installation video and find additional guidance at resources.impulselabs.com.

2.1.PARTS INCLUDED

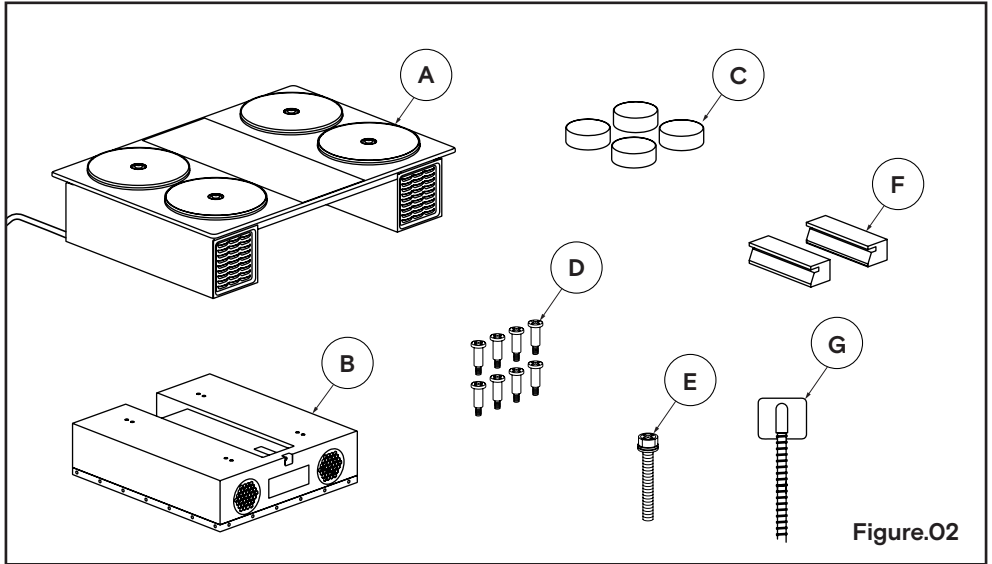
After unpacking all the parts, check for any damage in transit and for completeness of delivery.

NOTE

- › The battery packaging is used as an aid for assembling the battery to the cooktop.
- › The stove arrives with the 120 V cable assembled.
- › The 2 foam installation tools arrive inside the cardboard packaging with the 240 V cable.

See **Figure.02**:

- › [A] 1 cooktop
- › [B] 1 battery (shipped separately)
- › [C] 4 knobs
- › [D] 8 battery screws
- › [E] 1 retention screw
- › [F] 2 foam installation tools
- › [G] 240 V cable (not installed)



2.2.TOOLS AND PARTS NEEDED

Prepare these tools and accessories before you start to install your appliance.

- › Gloves
- › Cross-head screwdriver (PH2 tip)

NOTE

- › If you have multiple screwdriver sizes available, use the PH2 tip for the retention screw and PH3 tip for the black battery screws. If you only have one, a PH2 tip works for both.

3. Preparing the installation space

IMPORTANT

- › Read through all installation requirements before beginning installation.

3.1.COUNTERTOP REQUIREMENTS

Ensure that the countertop into which the cooktop is to be installed meets these requirements for a safe installation.

- › The countertop must be level and horizontal.
- › The countertop into which the cooktop is installed must be at least 13/16" (20 mm) thick. If the thickness of the countertop into which the cooktop is installed does not comply with the specifications, reinforcements may be needed. Otherwise, sufficient stability cannot be assured.

CAUTION

- › The stability of the countertop must be maintained after the cutout has been made. The countertop must support the weight of 250 lbs (114 kg).
- › The cooktop must be fully supported on all 4 sides by material capable of bearing its weight.
- › Contact the countertop manufacturer for instructions specific to your countertop. Solid surface and multi-layered countertops, such as laminate, may have special installations and cutout instructions.
- › Countertop into which the cooktop is installed must be heat-resistant up to 140° F (90 °C)
- › Note the location of the electrical outlet/service. The 120 V cord is 59" (1.5 m). The 240 V conduit is 37" (0.94 m).
- › Observe minimum distances required in cabinet ventilation requirements in **section 3.4**.

3.2.CUTOUT REQUIREMENTS AND DIMENSIONS

- › Ensure the cutout in the countertop meets these requirements for a safe installation.
- › Cutout is perpendicular. The angle of the cut surface to the countertop must be 90°.
- › Remove all cutout shavings.

CUTOUT REQUIREMENTS

- › Recommended cutout dimensions, see **Figure.03**:
[X] Width: 28 1/2" (72.4 cm)
[Y] Depth: 19 5/16" (50.4 cm)
- › Full cutout size possible:
[X] Width: 28 1/2" - 29 1/2" (72.4 cm - 74.9 cm)
[Y] Depth: 19 5/16" - 19 5/8" (49.1 cm - 49.8 cm)
- › [A] Clearance from rear wall: 2 1/2" minimum (64 mm)
- › [B] Clearance from front edge of counter: 2" (51 mm)
- › [C] Clearance from cabinetry on the counter next to cooktop: 3" (76 mm) minimum

3.3.CABINETY REQUIREMENTS

- › Ensure that the cabinetry installed with or around the appliance complies with all applicable building and fire codes. Verify that required clearances above the cooking surface meet requirements of local requirements. [D]

3.4.INSTALLATION IN COMBINATION WITH OTHER PRODUCTS

- › Both products must be installed according to their specific product installation instructions.

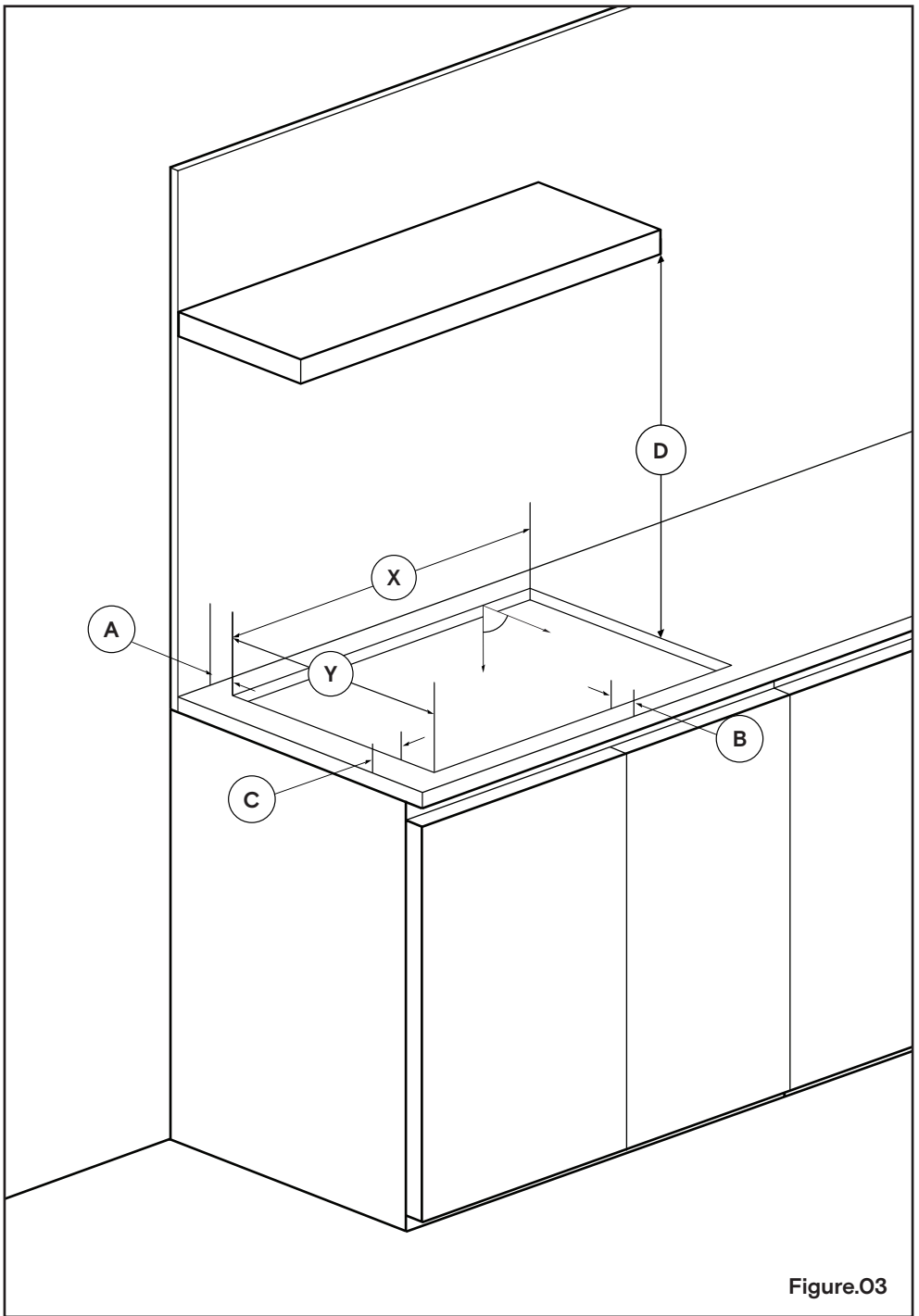


Figure.03

3.5.CABINET VENTILATION REQUIREMENTS

- › To ensure that the appliance works correctly, the cooktop must be sufficiently ventilated.

NOTE

- › Proper ventilation ensures a quieter cooking experience by allowing the cooktop to cool efficiently. Insufficient airflow can cause higher cabinet temperatures, which may increase fan noise.
- › The ventilation in the lower section of the appliance requires a sufficient supply of fresh air. Ensure that the cabinet is designed in a way that supports sufficient ventilation. The following requirements must be fulfilled:

NOTICE

- › A minimum 13/16" (20 mm) clearance between the rear of the cabinet and the kitchen wall. **[Figure.06] [A]**
- › A minimum of 2" (50 mm) for 120 V and 2 3/4" (70 mm) for 240 V installation between the underside of the battery-integrated cooktop and the closest horizontal cabinet surface, such as a cabinet drawer. **[Figure.06] [B]**
- › A minimum 1/2" (13 mm) between the front of the integrated battery and the inside surface of the front cabinet. **[Figure.06] [C]**
- › A minimum 2 1/2" (64 mm) clearance between the back of the integrated battery and the kitchen wall. **[Figure.06] [D]**
- › An opening at the top to the rear of the cabinet. **[Figure.04] [X]**
- › If the minimum clearance of 13/16" (20 mm) is not provided at the rear of the cabinet, you must create an opening on the underside. **[Figure.05] [Y]**
- › An optional bottom cabinet opening can improve ventilation airflow. **[Figure.05] [Z]**
- › A minimum 3/16" (5 mm) clearance in the front of the cabinet, or ensure equivalent cross sectional area ventilation is provided by other means. **[Figure.07] [E]**
- › If the appliance is installed in an island or other installation that is not described here, you must ensure that the cooktop is sufficiently ventilated and structurally supported.

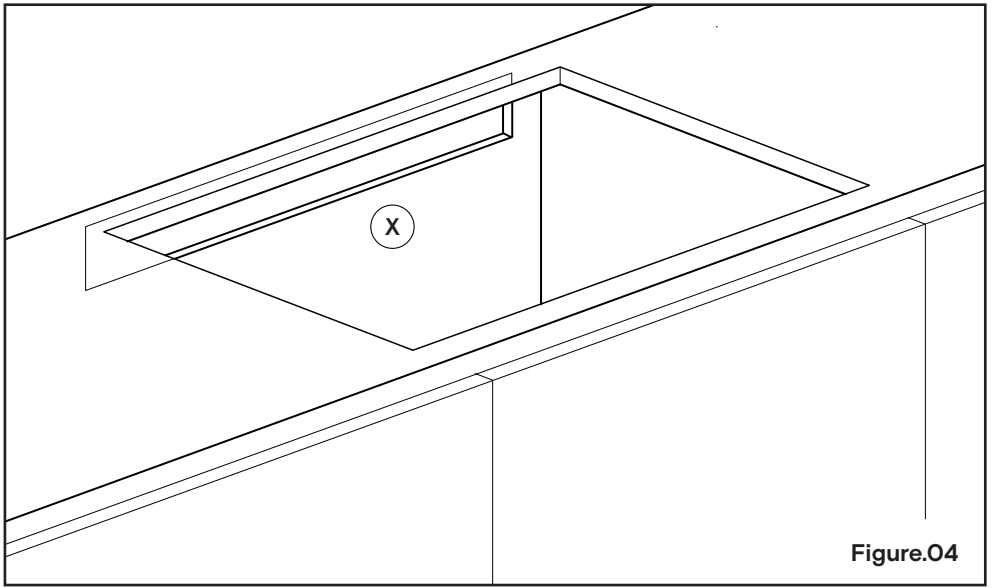


Figure.04

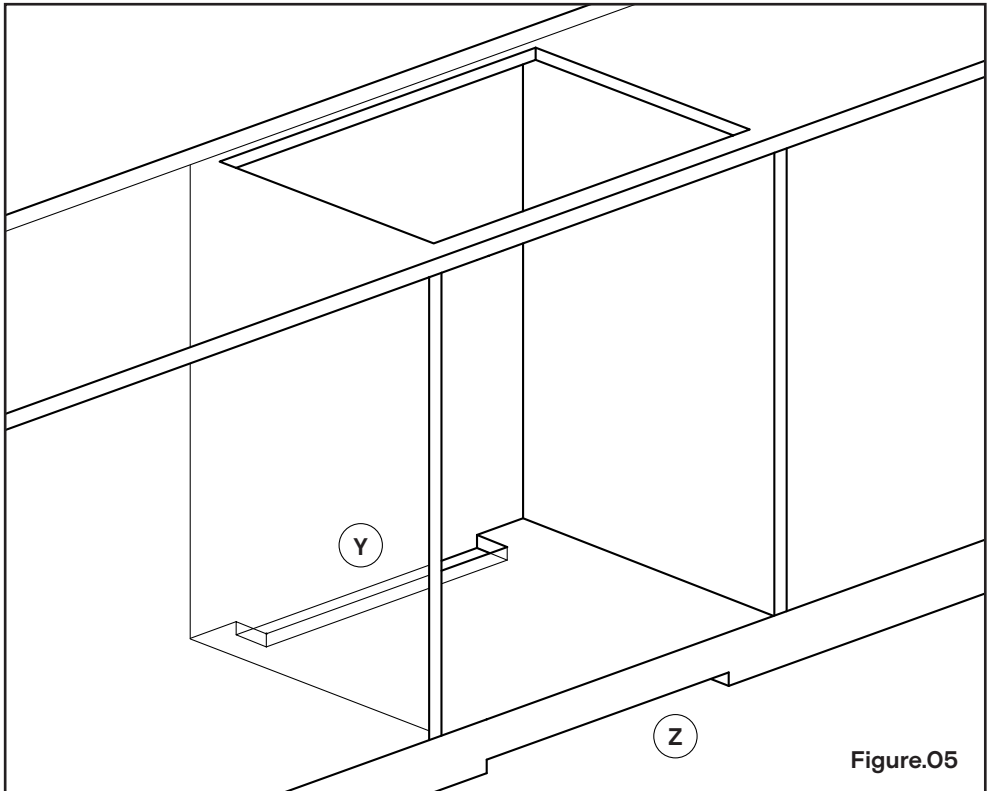


Figure.05

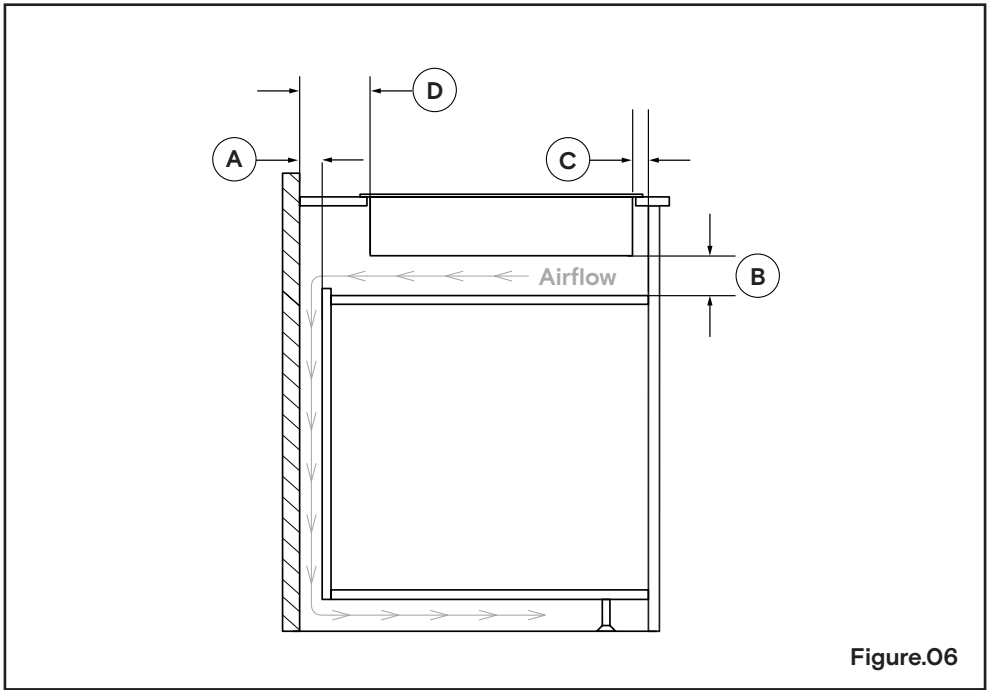


Figure.06

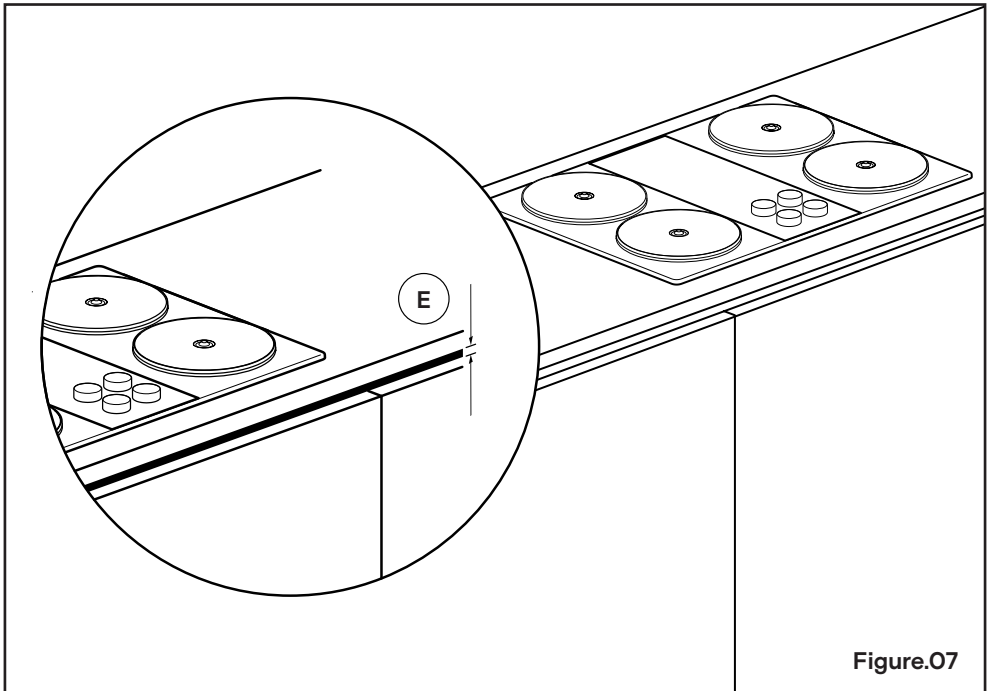


Figure.07

4. Installation process

Follow these instructions to install the cooktop into the countertop.

CAUTION

- › Use protective gloves when installing the appliance.

WARNING

- › The appliance is heavy. This is a 2 person installation.
- › Before installing, turn power OFF at the service panel. Lock service panel to prevent power from being turned ON accidentally.
- › Inspect the packaging and the battery for damage, such as cracks, dents, or leaking electrolytes. Do not install or use the battery if it has been damaged.
- › Do not drop the battery. Lift and lower the battery with caution. Dropping the battery may create a hazard, cause serious injury, and/or damage the equipment.

4.1. ASSEMBLING THE BATTERY TO THE COOKTOP

SAFETY DEFINITION	ACTIONS
REQUIREMENT	<ul style="list-style-type: none">› STEP 1: Unpack the battery and the cooktop. Ensure that you have all parts.› The power cable needs to be installed prior to assembling the battery to the cooktop. See section 5.2 for instructions on assembling the 120 V or 240 V cable.
WARNING	<ul style="list-style-type: none">› Do not connect the cooktop to a power source during assembly.

SAFETY DEFINITION	ACTIONS
<p style="text-align: center;">WARNING</p>	<ul style="list-style-type: none"> › STEP 2: Elevate the battery using the battery packaging. › Collect the cardboard packed on top of the battery and 2 of the cardboard side pieces from the battery packaging. › Stack the 2 cardboard side pieces on the large cardboard piece. › Center the 2 small pieces. › NOTE: For an easier installation, perform this step on the countertop next to the cutout.
<p style="text-align: center;">WARNING</p>	<ul style="list-style-type: none"> › STEP 3: Set the battery on top of the cardboard packaging with the flat side down and the battery nameplate facing towards you. This elevates the battery to the correct height in preparation for assembling the battery to the cooktop. [Figure.08]
<p style="text-align: center;">WARNING</p>	<ul style="list-style-type: none"> › STEP 4: Install all 8 battery screws until hand-tight. Then, tighten the screw with a screwdriver until it seats firmly against the surface and no threads are visible. [Figure.09]
<p style="text-align: center;">WARNING</p>	<ul style="list-style-type: none"> › Check the battery and cooktop bottom to ensure there is no foreign material.

SAFETY DEFINITION	ACTIONS
CAUTION	<ul style="list-style-type: none"> › STEP 5: Do not let the cooktop drop into place. With 2 people, lift the cooktop over the battery with the front edge of the cooktop facing the nameplate side of the battery. [Figure.10] › Align the front edge of the cooktop with the front edge of the battery and slowly lower the cooktop onto the battery. › Visually check that the cooktop is resting flat on the top surface of the battery. If the cooktop is not resting flat, lift up both sides of the cooktop and re-lower. When the cooktop is seated correctly, there will be a minimal to no gap between the cooktop and the battery. If a minimal gap is visible, it should be consistent across. If the gap is large or uneven, the cooktop is not correctly placed.
REQUIREMENT	<ul style="list-style-type: none"> › The stove should be level with the battery.
NOTICE	<ul style="list-style-type: none"> › STEP 6: Hold the front of the battery stationary while pulling the back of the cooktop towards you. Watch your fingers. Stop when the battery connector is engaged and the front face of the battery is flush with the lower half of the cooktop. [Figure.11]
REQUIREMENT	<ul style="list-style-type: none"> › STEP 7: Install the retention screw in the front of the battery. [Figure.12] › Manually rotate the screw by hand to engage the screw with the cooktop. › Use a screwdriver to finish tightening.
REQUIREMENT	<ul style="list-style-type: none"> › The power cable (120 V or 240 V) has been installed. The battery has been assembled into the cooktop. The cooktop is not connected to a power supply.

4.2.INSTALLING THE STOVE INTO THE COUNTER CUTOUT

SAFETY DEFINITION	ACTIONS
REQUIREMENT	<ul style="list-style-type: none"> › STEP 8: Place a foam installation tool on each short edge of the cooktop. Ensure the tool is firmly attached.
NOTICE	<ul style="list-style-type: none"> › The foam gasket under the cooktop is soft and can tear. › Check the edges of the cooktop to ensure that the gasket is not pinched, rolled, or bunched up.
WARNING	<ul style="list-style-type: none"> › STEP 9: With 2 people, lift and place the stove above your counter cutout at an angle such that each corner is supported. › Place the power cable into the cutout. › Do not let the cooktop drop into place. Do not hold the cooktop by the installation tools. Make sure that the cooktop is supported by the edges when carefully placing it into the cutout. › With 2 people, lift the cooktop and rotate until it is aligned with the countertop cutout, knobs area facing the front of the counter. › Slowly lower the cooktop into the cutout until the installation tools rest on the counter.
CAUTION	<ul style="list-style-type: none"> › STEP 10: Ensure that nothing is underneath the lip of the cooktop except for the foam installation tools. Carefully grip the farthest edge of one installation tool and rotate the tool away from the cooktop. The cooktop edge will lower to the counter. Repeat on the other side. › Remove each installation tool one by one to prevent injury. [Figure.13] › Keep fingers away from the cooktop edges.

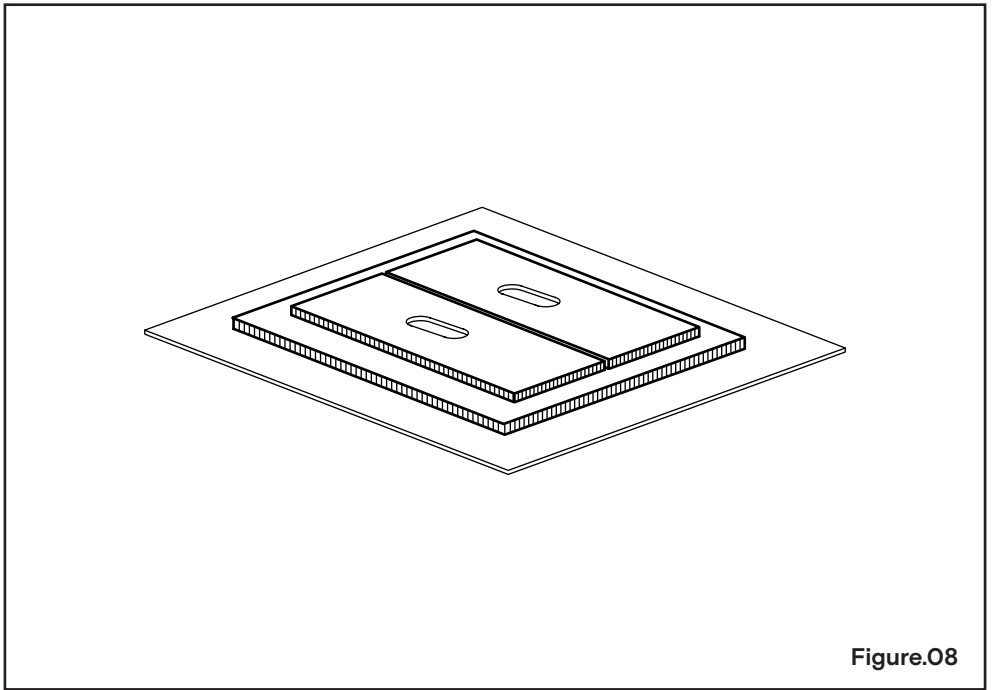


Figure.08

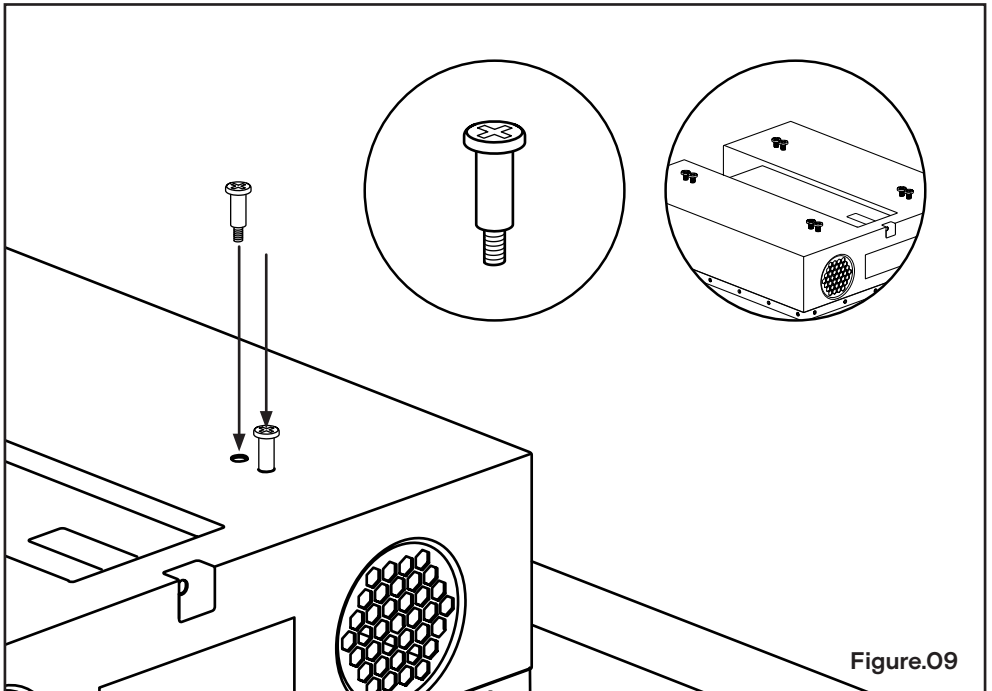
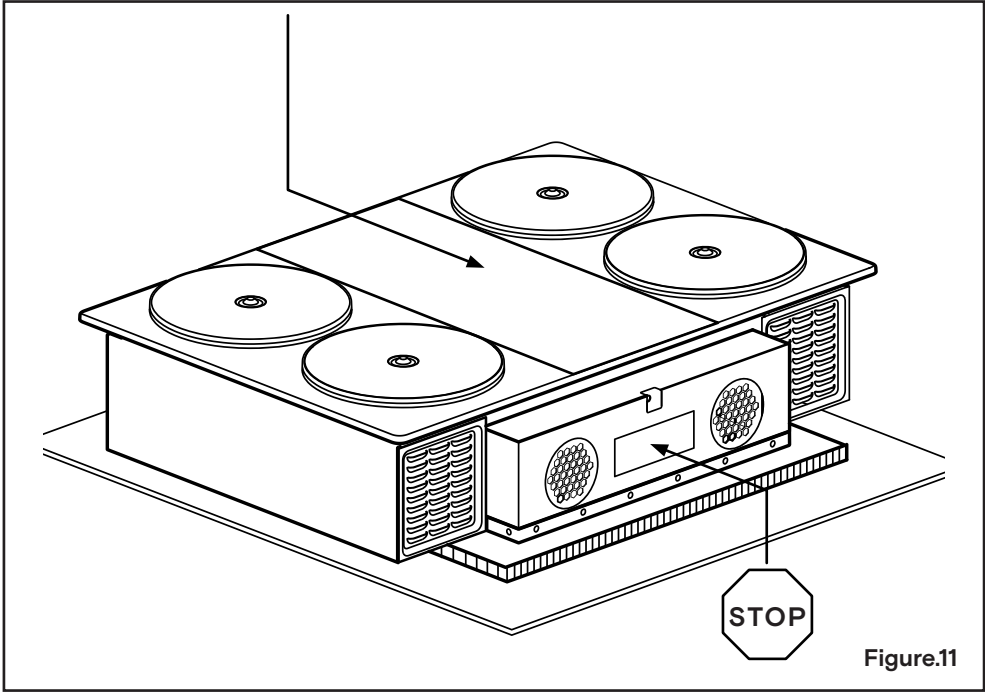
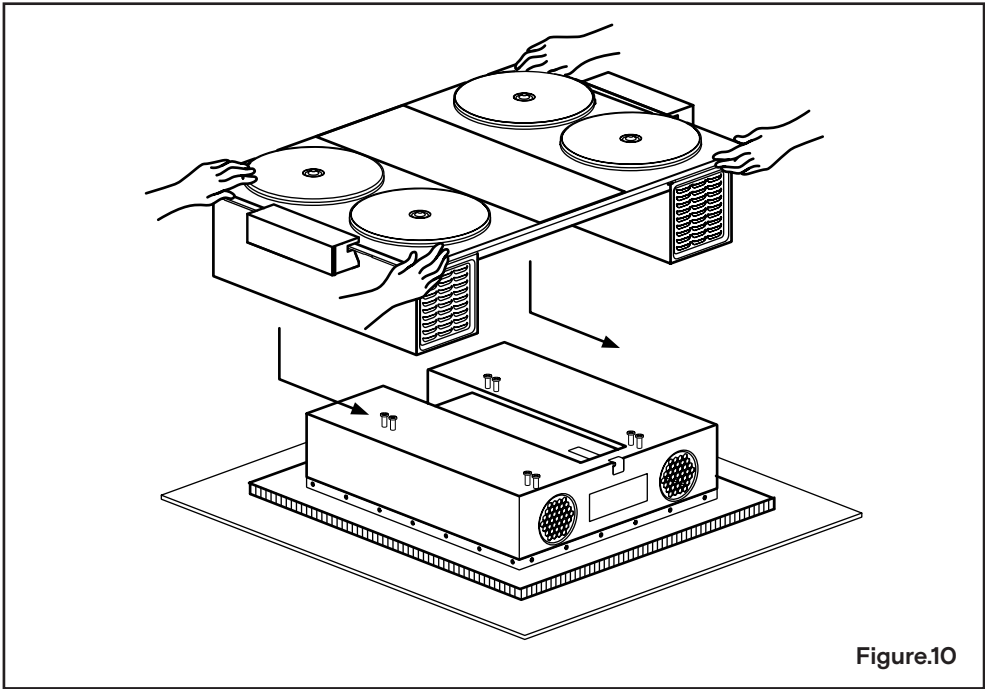
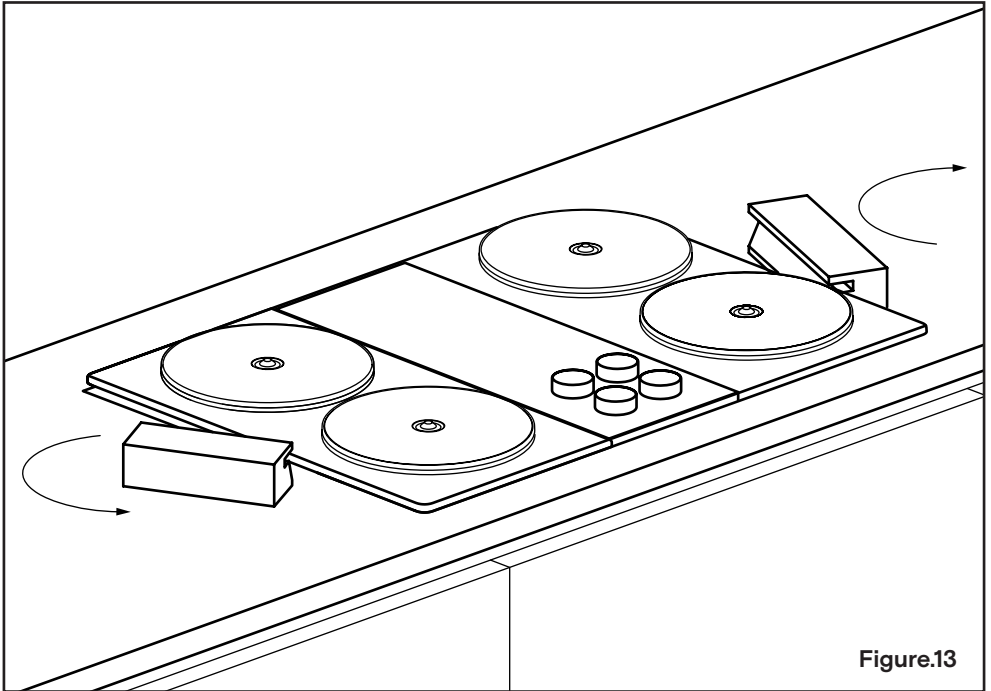
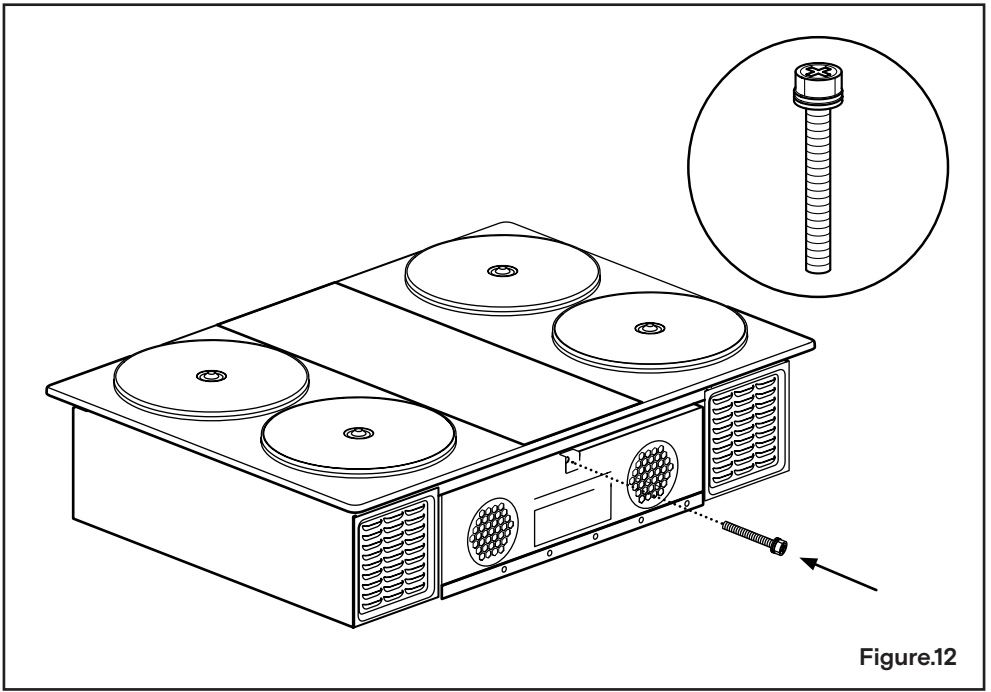


Figure.09





5. Electrical connection

Read these instructions to safely connect your appliance to the electrical supply.

5.1.ELECTRICAL REQUIREMENTS

- › The branch-circuit overcurrent protective device ampacity, wire sizes, and the connections must conform to the requirements of the National Electrical Code and all local codes and ordinances. You can find the rating plate with the electrical specifications in **section 8.1**.

120 V CONNECTION

- › For 120 V installation, plug the cable into the power outlet. Note the cable length is 59" (150 cm). The 120 V cable arrives pre-installed. For instructions on assembling the 120 V cable, see **section 5.2**.

WARNING

Do not use an extension cord with this appliance.

240 V CONNECTION

See **Figure.14**:

- › Approved for copper wire connections only.
- › The junction box must be located within 3 feet of the cooktop connection. It should be easily accessible for service purposes.
- › **[A]** Max. 8" (20 cm)
- › **[B]** Min. 2 3/4" (70 mm) air clearance
- › **[C]** Approximate 12" (30 cm) recommended
- › **[D]** Junction box
- › **[E]** Flexible conduit approximately 37" (94 cm)

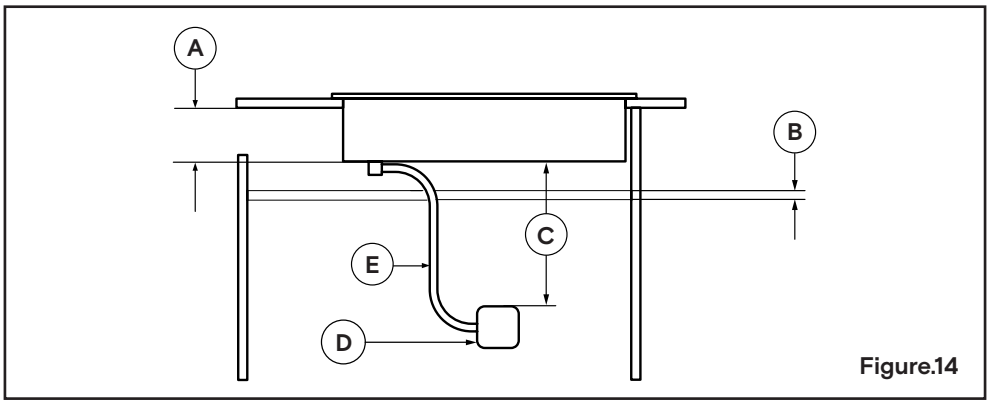


Figure.14

POWER SUPPLY

	120 V	240 V
MAX APPLIANCE CURRENT RATING	12.5 A	8.3 A
MAX CONNECTED LOAD	1.5 kW	2 kW
MAX OVERCURRENT PROTECTIVE DEVICE RATING	20 A	30 A
FREQUENCY	60 Hz	60 Hz
ELEMENTS	4	4
FRONT LEFT	10 kW	10 kW
REAR LEFT	10 kW	10 kW
FRONT RIGHT	10 kW	10 kW
REAR RIGHT	10 kW	10 kW

5.2.ASSEMBLING THE POWER CABLE

The stove arrives with the 120 V cable assembled. A 240 V cable is provided separately.

FOR 120 V CONNECTION

- › The stove arrives with the 120 V cable assembled. If the 120 V cable needs to be re-assembled, follow the instructions below.
- › **STEP 1:** Remove the 3 screws holding the ring terminals. Keep the screws in a safe place for reinstallation. [Figure.19]
- › **STEP 2:** Match the 120 V wiring to the diagram labeled on the stove and in [Table 1]. Use the saved screws to fasten ring terminals. Torque screws to 35 - 50 in-lbs.
- › **STEP 3:** Align the terminal panel to the underside of the cooktop according to the diagram. Ensure the tabs are fully seated in the corresponding holes in the terminal panel. Secure the terminal panel using a cross-head screwdriver and 4 panel screws. [Figure.17]
- › **STEP 4:** After completing remaining assembly steps and installing the cooktop into the countertop, connect the 120 V plug to the power supply.

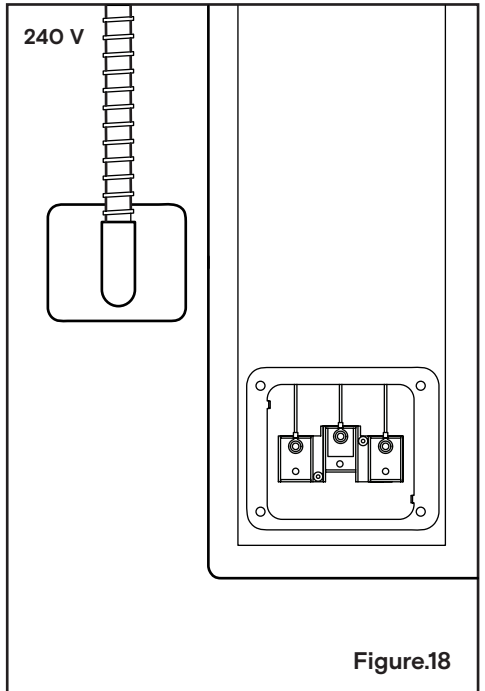
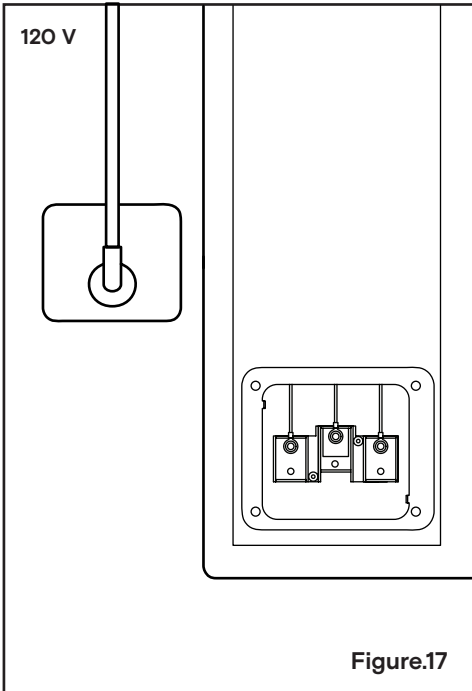
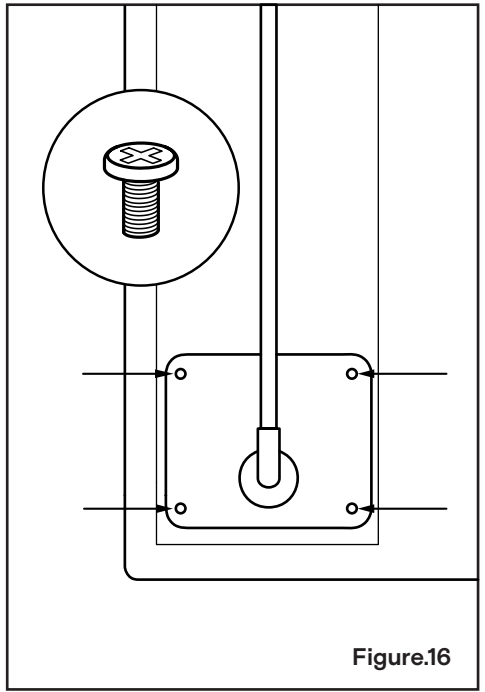
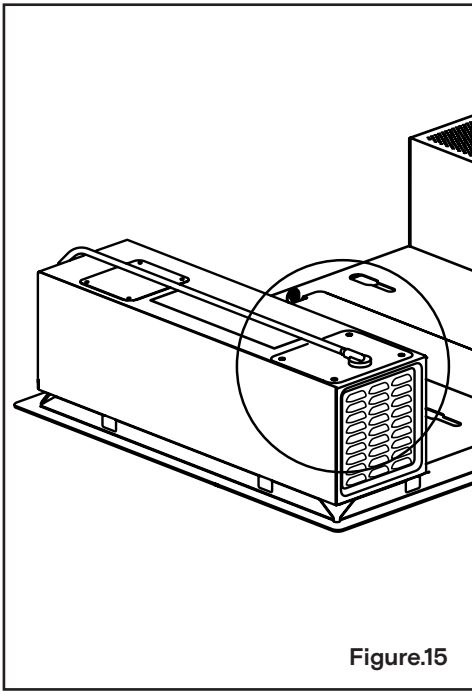
FOR 240 V CONNECTION

CAUTION

- › **STEP 1:** Verify stove is not plugged in and the power supply is shut off.
- › **STEP 2:** Before installing, turn power OFF at the service panel.
- › **STEP 3:** Lock service panel to prevent power from being turned ON accidentally.
- › **STEP 4:** Disconnect the 120 V cable:
- › Remove the 4 screws securing the terminal panel using a cross-head screwdriver. Keep the screws in a safe place for reinstallation in step 5. [Figure.16]
- › Remove the 3 screws holding the ring terminals and detach the 120 V cable.
- › **STEP 5:** Match the 240 V wiring per the diagram next to the panel on the stove and in [Table 1]. No neutral (grounded conductor) is required for 240 V connections. Use the saved screws to fasten ring terminals. Torque screws to 35 - 50 in-lbs. [Figure.20]
- › **STEP 6:** Align the terminal panel to the underside of the cooktop according to the diagram. Ensure the tabs are fully seated in the corresponding holes in the terminal panel. Secure the terminal panel using a cross-head screwdriver and 4 panel screws. [Figure.18]

TABLE 1

STOVE TERMINAL	PROVIDED 120V CABLE	PROVIDED 240V CONDUIT
Outer	White	Red
Outer	Black	Black
Center	Green	Green



AC wire assembly for 120 V

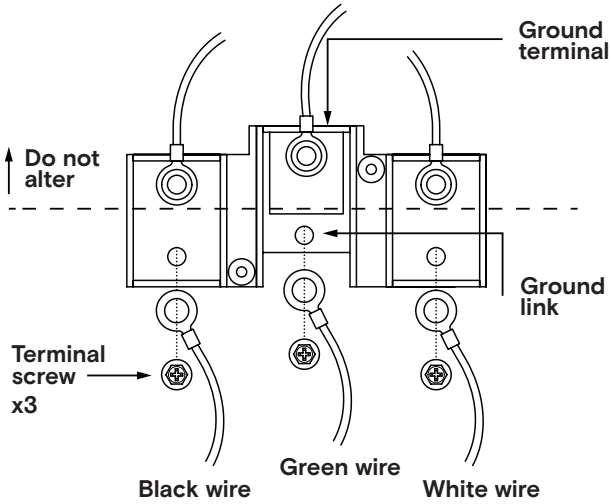


Figure.19

AC wire assembly for 240 V

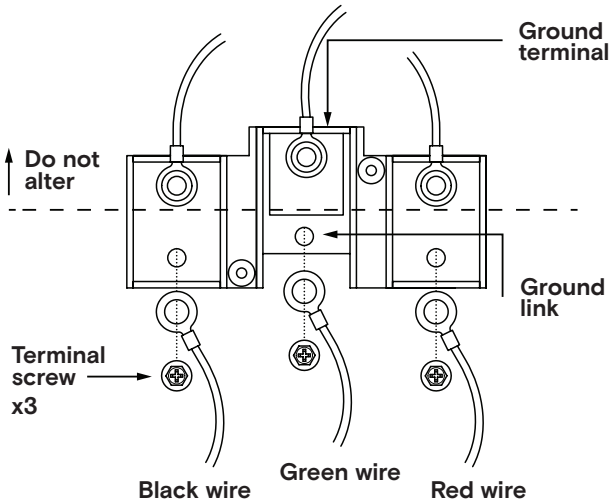


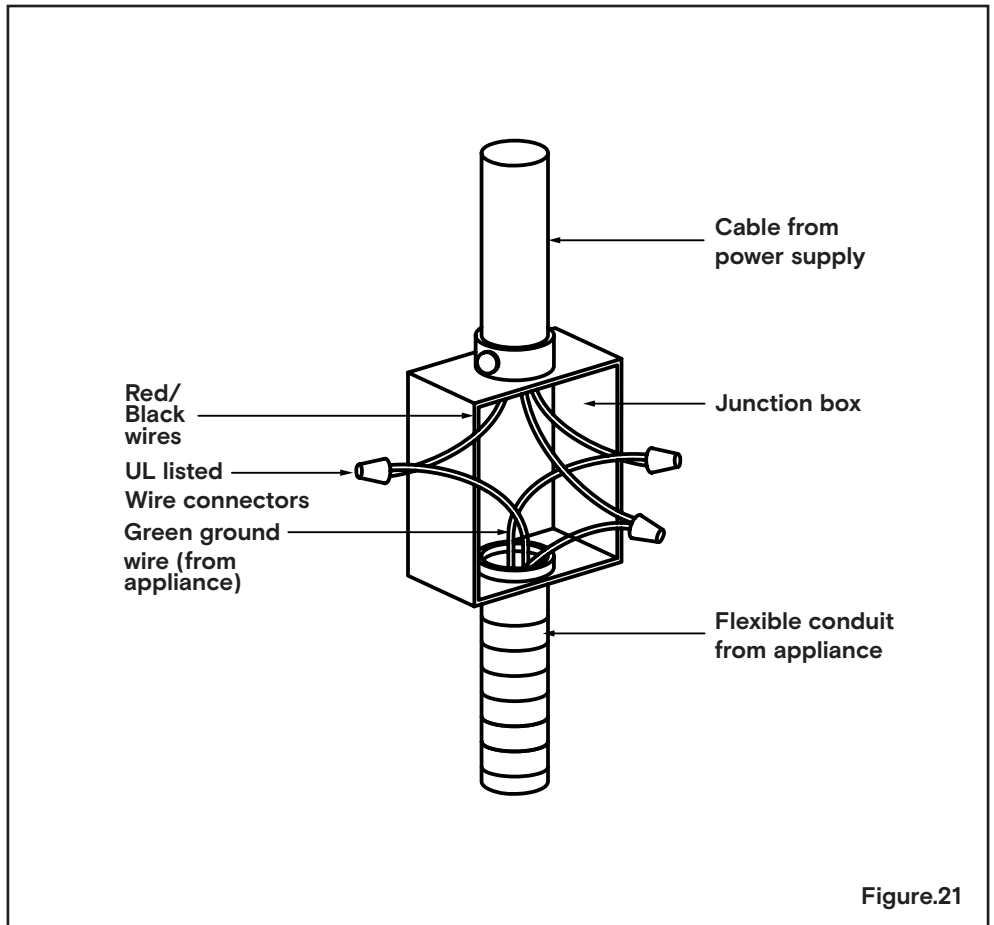
Figure.20

5.3.CONNECTING ELECTRICAL SUPPLY FOR 240 V CONNECTION (SKIP FOR 120 V CONNECTIONS)

NOTE

If the cooktop is installed and connected as specified here, it will be grounded in compliance with the National Electrical Code.

- › **STEP 1:** Install a suitable junction box (not furnished). The branch-circuit overcurrent protective device ampacity, the wire sizes, and the connections must conform to the requirements of the National Electrical Code and all local codes and ordinances. [Figure.21]
- › **STEP 2:** Connect the lead wires to the junction box supply wires in the proper phase. [Figure.21]



6. Checking installation

- › **STEP 1:** Check that the cooktop is level to the counter.
- › **STEP 2:** Check the edges of the cooktop. Ensure that the gasket is flat. The foam should not be folded or bunched, ripped, torn, or pinched.
- › **STEP 3:** Ensure that there are no foreign materials between the cooktop and the countertop.
- › **STEP 4:** Remove everything from the cooktop surface including stickers.
- › **STEP 5:** Ensure that the unit is connected to power as described in **section 5**.
- › **STEP 6:** Switch on the circuit breaker.
- › **STEP 7:** Verify the loading screen turns on. If the loading screen does not appear after initial connection to power, press and hold the power button to confirm the stove turns on.

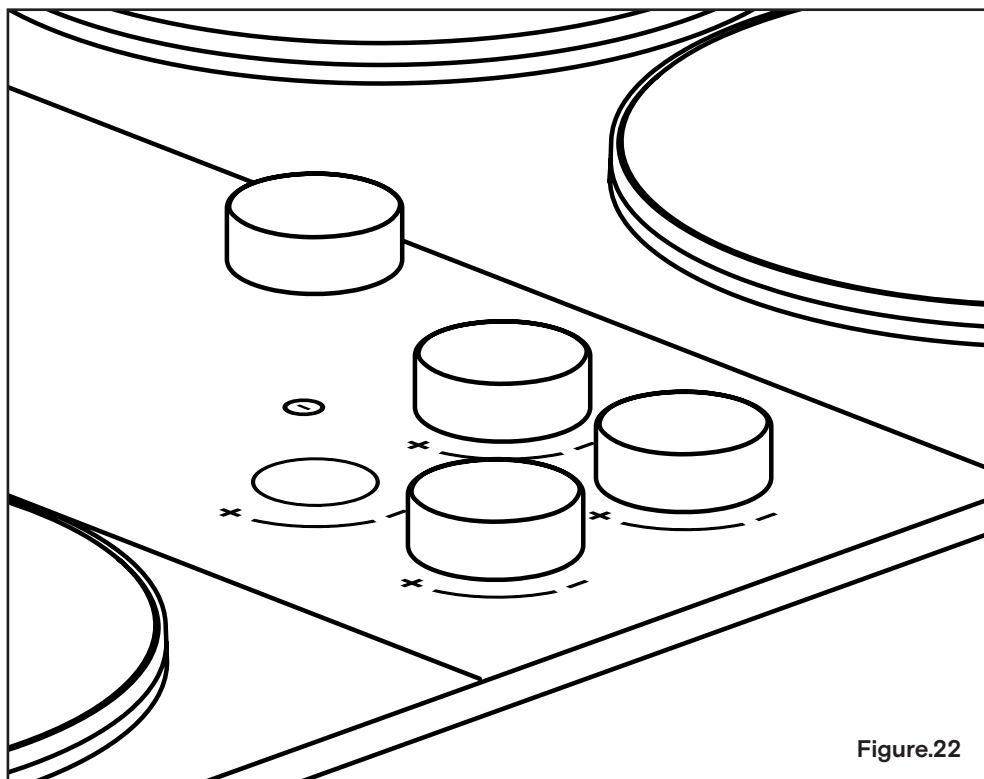


Figure.22

7. Onboarding

- › Press and hold the power button until the screen illuminates to turn on the Impulse Cooktop. Follow the on-screen instructions to place the 4 knobs on the stove and complete the initial set up.

8. Removing the appliance

WARNING

- › Before uninstalling, press and hold the power button for 10 seconds, until you hear a click. This indicates the battery has disconnected and the cooktop is fully OFF.
- › Turn the circuit power OFF at the service panel
- › Disconnect the appliance from the power supply.

REQUIREMENT

- › Removing the appliance requires 2 people.

CAUTION

- › Do not lever the appliance out from above at the frame. Use protective gloves.
- › Place the installation tool on the cooktop edge, one at a time. Push up on the bottom of the cooktop on a short edge until the installation tools can be placed on the cooktop.
- › Repeat on the second side.
- › With 2 people, lift the cooktop out of the counter and rotate to place securely on the counter.

9. Customer service & warranty

- › If you have questions on use, are unable to eliminate an issue in the appliance yourself, or the appliance needs to be repaired, please contact our customer service.
- › With any warranty repair, we will make sure your appliance is repaired by an authorized service provider using genuine replacement parts. Detailed information on the warranty period and terms of warranty can be found in the user manual and at: <https://resources.impulselabs.com>
- › If you contact customer service, you will need the model and the production number of your appliance.
- › support@impulselabs.com
- › www.impulselabs.com

9.1.NAMEPLATE LOCATION, MODEL, AND PRODUCTION NUMBER

See **Figure.23**:

- › **[A]** You can find the nameplate on the underside of the appliance.
- › The model and production number are on the nameplate.
- › **[B]** You can find the battery information on the side of the battery pack.

Instinctively Better.™

